

Heavy Duty Desiccant

Compressed Air Dryers

The world's highest efficiency and heavy duty
Desiccant Compressed Air Dryers at affordable prices



Super-Dry Compressed Air Dryers remove moisture, water, oil, solid air particles and other contaminants from your compressed air.

Up to 300 SCFM

Heavy duty aluminium casting for high durability and corrosion resistance

High efficiency Air Dryers

Easy replaceable self-contained desiccant cartridges making desiccant replacement simple, fast and mess-free

Desiccant cartridge needs to be replaced only once a year (on standard use)

Affordable Air Dryers

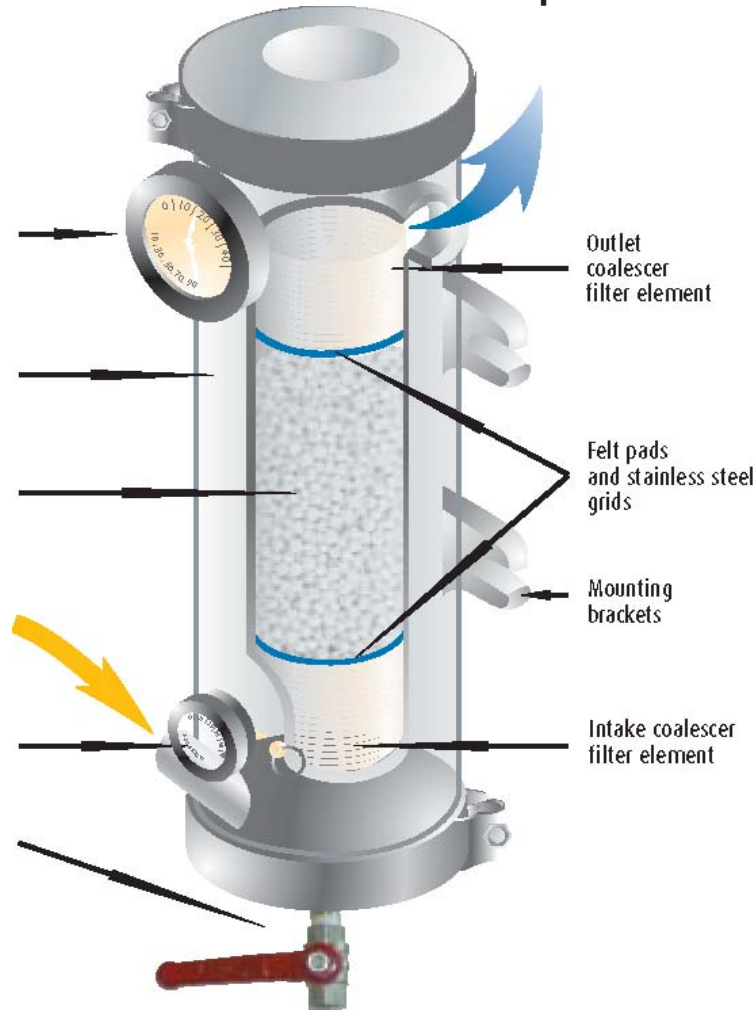
10 year warranty. Life expectancy: 25 years

Air pressure gauge and safety valve standard

Optional automatic timer drain

Optional temperature & moisture indicator

Exposed view of the **D-Series** Compressed Air Dryer



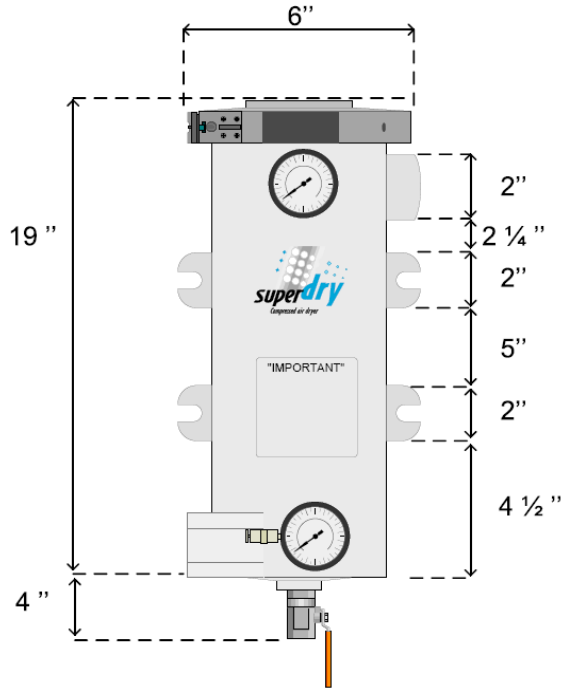
Specifications and Ordering Information:

The dryers contain two highly efficient polypropylene coalescer elements at inlet & outlet ports to absorb oil and all solid air particles. Also included, one desiccant bag specifically designed to absorb water and condensation from your compressed air system.

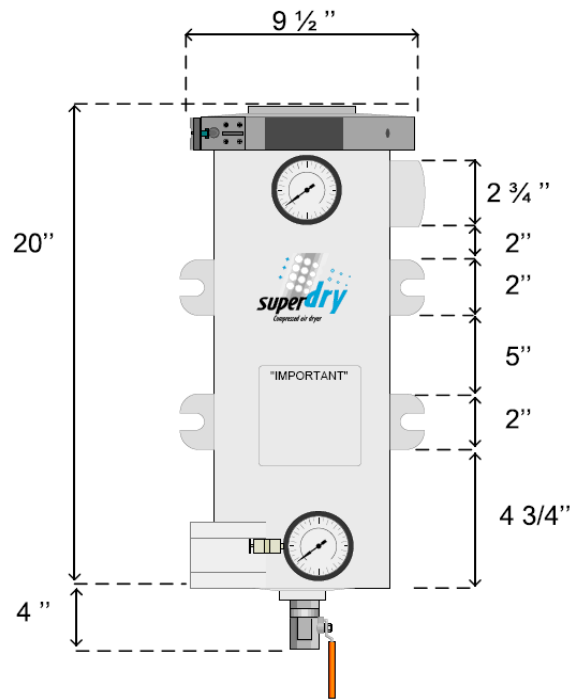
- Up to 300 SCFM
- Desiccant (activated alumina)
- Special V-band stainless steel clamps permit easy removal of cover for cartridge replacement
- Max. working pressure: 150 P.S.I.G.
- Pressure drop: 3 P.S.I.G. at 100 P.S.I.G. input

Model	Height	Inside ø	Inlet / Outlet N.P.T.	S.C.F.M.	Weight	Replacement Kit
D-1	20 1/2 "	4"	1"	70	20 lbs	ED-1
D-2	20 1/2 "	6"	1 1/2 "	150	40 lbs	ED-2
D-3	34"	6"	2"	200	75 lbs	ED-3
D-4	34"	8"	3"	300	100 lbs	ED-4

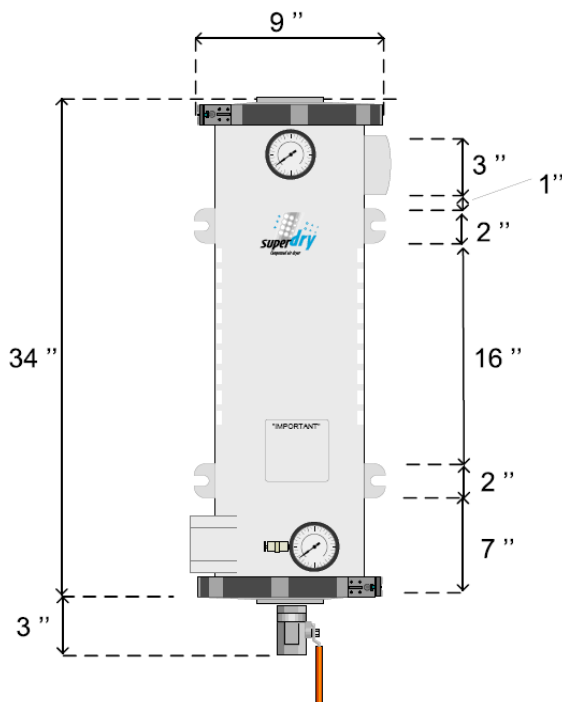
Item # D1



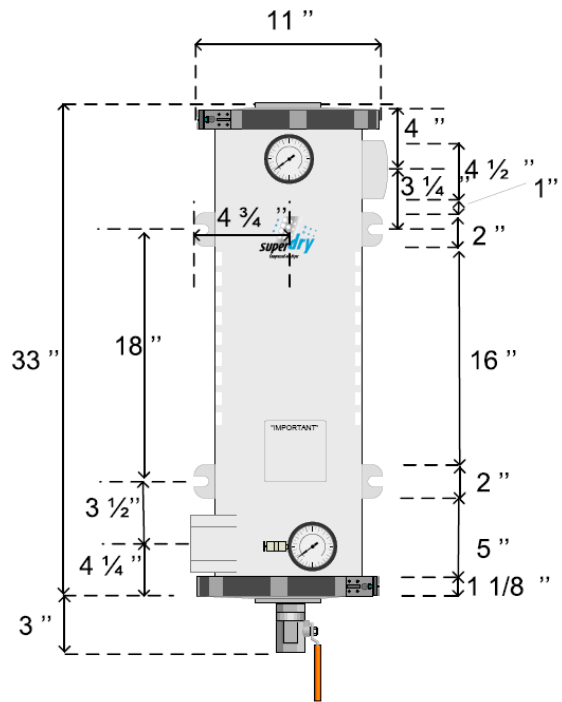
Item # D2



Item # D3

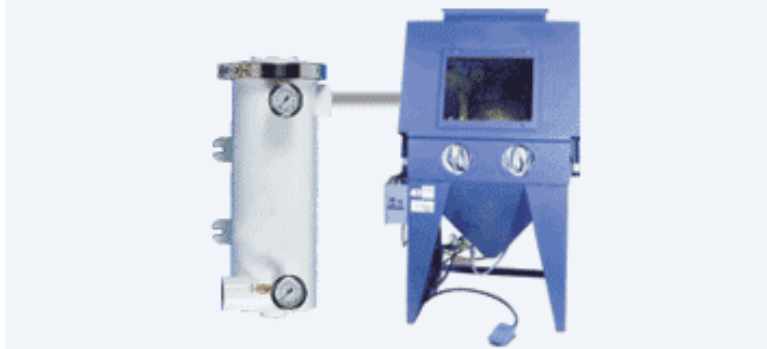


Item # D4

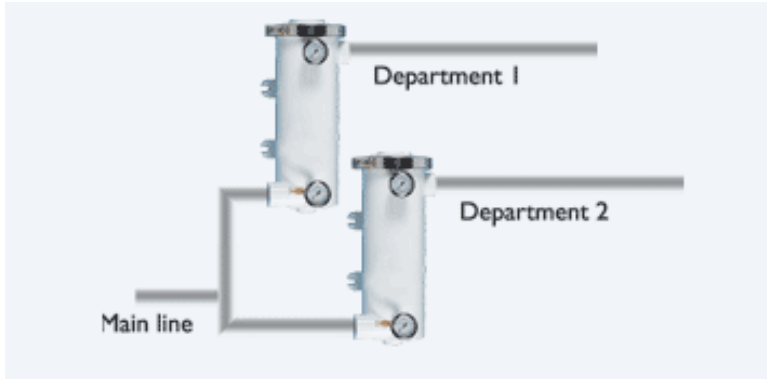


D-Series Compressed Air Dryer

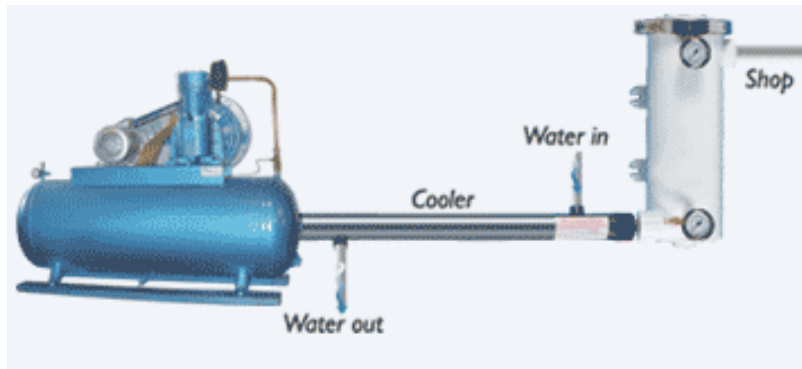
Recommended Installation for the Super-Dry Compressed Air Dryers.



Air Dryer directly at the point of use



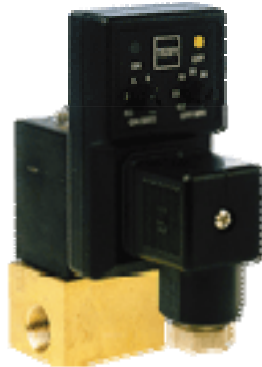
Air Dryers at the beginning of each department



Air Dryer near the compressor

Optional Accessories

Specifications and Ordering Information



Automatic Timer Drain (TD 1/4)

Installed at the bottom of the **Super-Dry** Air Dryers, it evacuates water and oil accumulated at the bottom of the dryer. Listed UL and CSA.



Temp. & Hum. Indicator (HGT 1/4)

Lets you know when it is time to change the cartridge of the **Super-Dry** D-Series Air Dryers.
